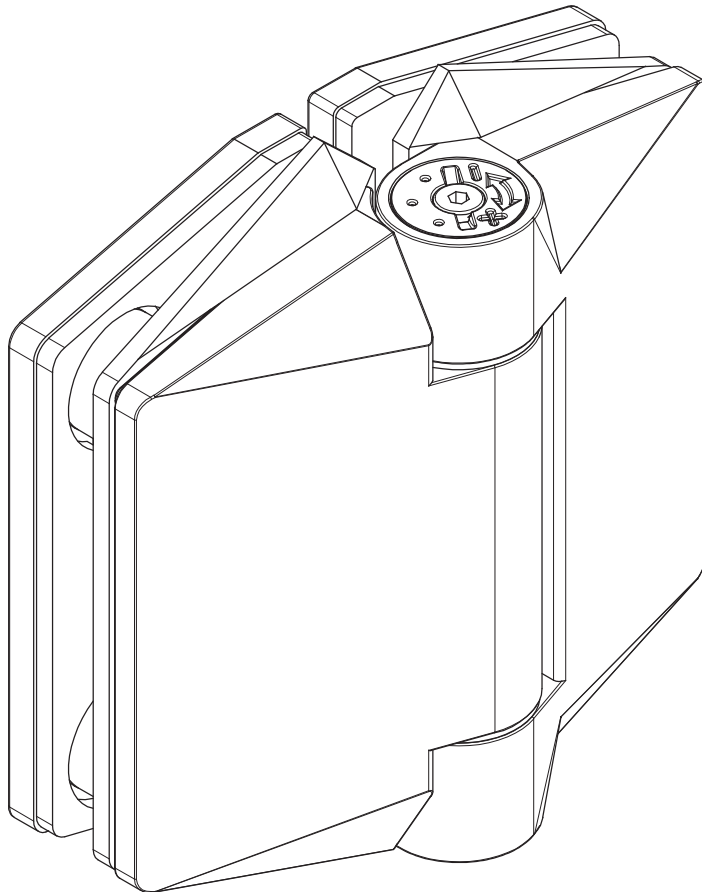


120 SERIES POOL HINGE

GLASS TO GLASS



FINISHES AND FUNCTIONS

- 2205 GRADE STAINLESS STEEL
- POLISHED STAINLESS
- BRUSHED STAINLESS
- MATT BLACK
- SINGLE ACTION
- SOFT CLOSE
- NON-HOLD OPEN
- ANTI-FOOT-HOLD GASKET



10mm
12mm



MAX.
900mm WIDE x
1500mm HIGH



MAX 45kg



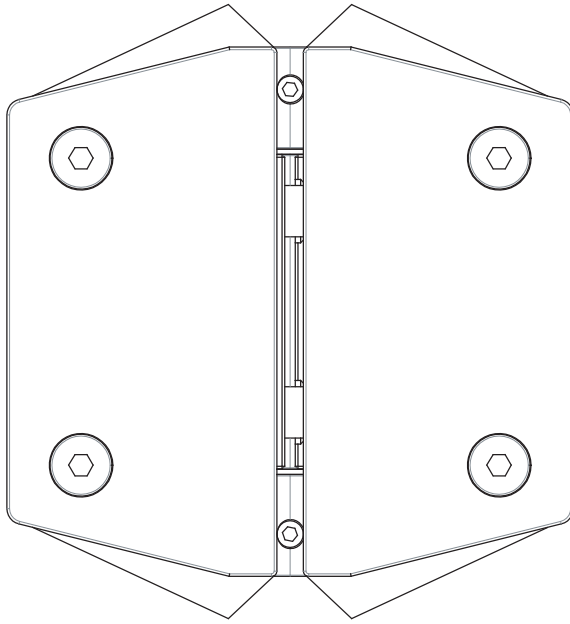
- 10°C
+ 50°C



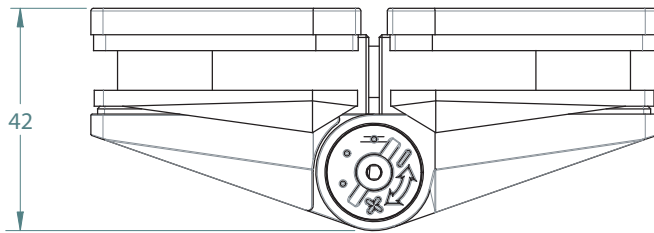
90°

120 SERIES POOL HINGE

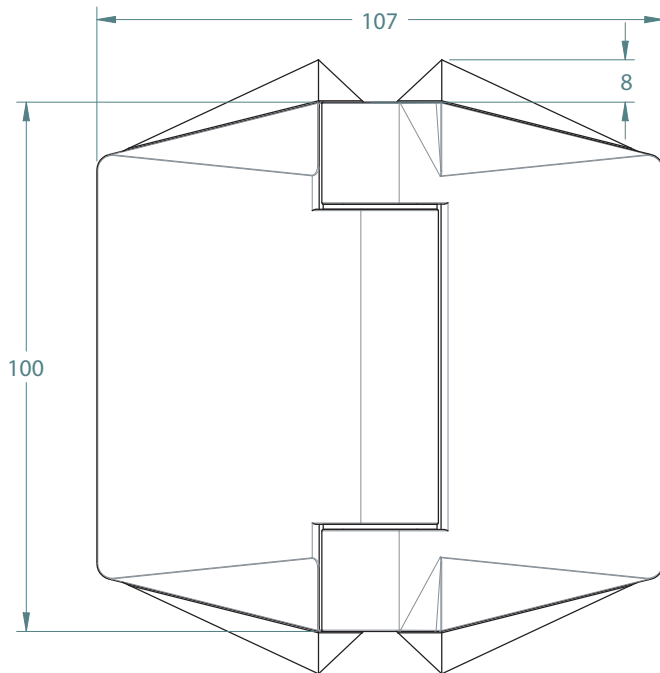
- SELF-CLOSING SAFETY HINGE FOR GLASS POOL FENCING
- TO BE USED WITH CHILD PROOF SAFETY LATCH
- COMPLIES WITH AUSTRALIAN STANDARDS FOR POOL GATE HARDWARE
- NATA ACCREDITED AND INDEPENDENTLY TESTED TO 10'000 CYCLES (NATA = NATIONAL ASSOCIATION OF TESTING AUTHORITIES AUSTRALIA)



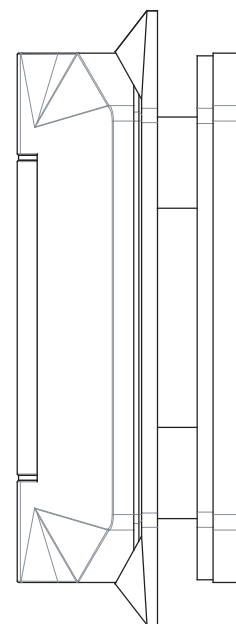
REAR VIEW



TOP VIEW



FRONT VIEW



SIDE VIEW

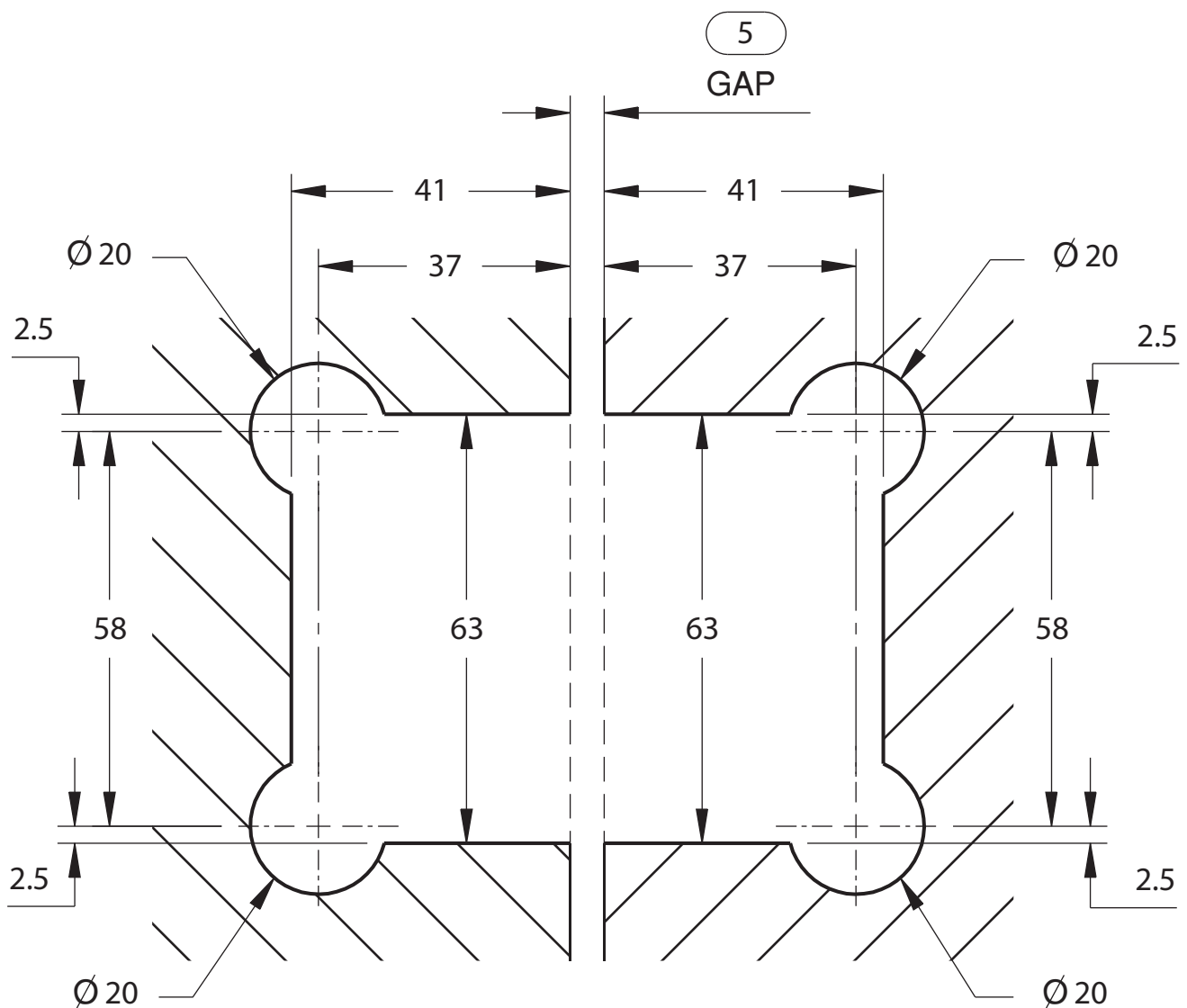
TO ORDER SPECIFY:

- 120PGGP POLISHED FINISH
- 120PGGS BRUSHED FINISH
- 120PGGB BLACK FINISH

GLASS PREPARATION

120, 220 & 320 SERIES HINGE

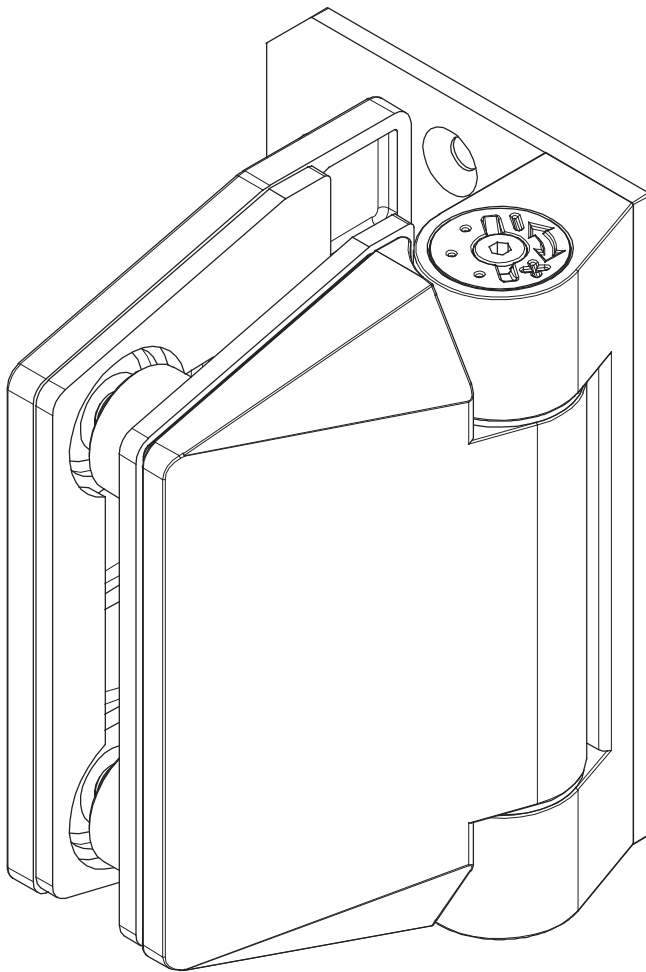
GLASS TO GLASS



GLASS CUT-OUT TOP AND BOTTOM
(ALL DIMENSIONS IN MILLIMETERS)

120 SERIES POOL HINGE

GLASS TO WALL



120 SERIES POOL HINGE

- SELF-CLOSING SAFETY HINGE FOR GLASS POOL FENCING
- TO BE USED WITH CHILD PROOF SAFETY LATCH
- COMPLIES WITH AUSTRALIAN STANDARDS FOR POOL GATE HARDWARE
- NATA ACCREDITED AND INDEPENDENTLY TESTED TO 10'000 CYCLES (NATA = NATIONAL ASSOCIATION OF TESTING AUTHORITIES AUSTRALIA)

FINISHES AND FUNCTIONS

- 2205 GRADE STAINLESS STEEL
- POLISHED STAINLESS
- BRUSHED STAINLESS
- MATT BLACK
- SINGLE ACTION
- SOFT CLOSE
- NON-HOLD OPEN
- ANTI-FOOT-HOLD GASKET



10mm
12mm



MAX.
900mm WIDE x
1500mm HIGH



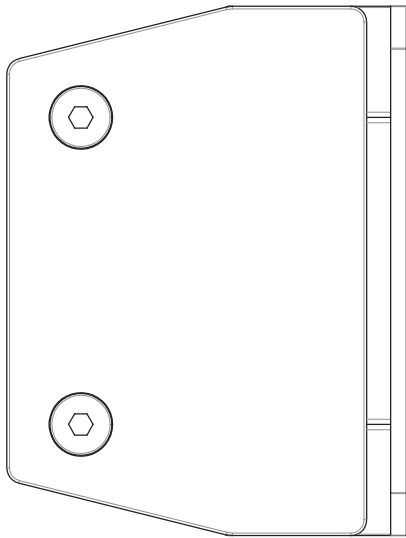
MAX 45kg



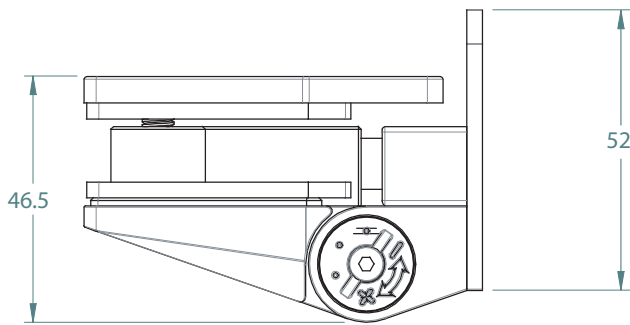
- 10°C
+ 50°C



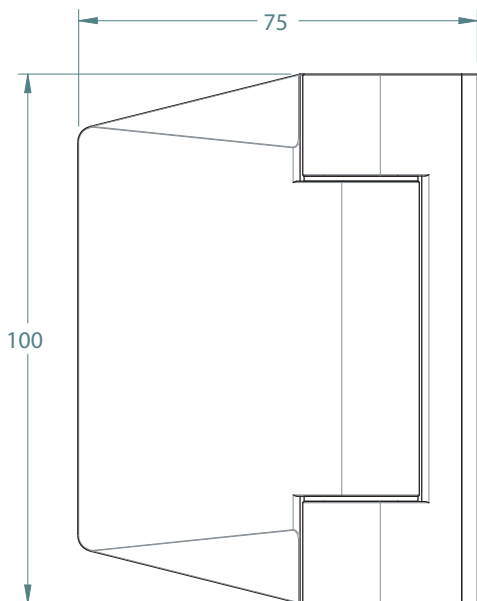
90°



REAR VIEW



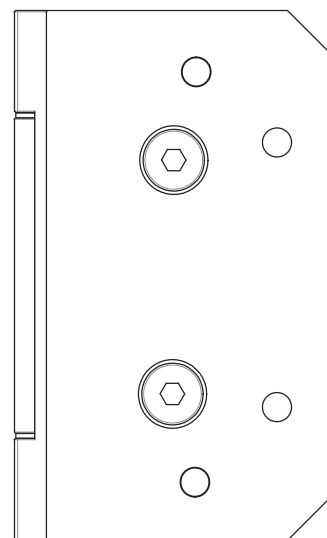
TOP VIEW



FRONT VIEW

TO ORDER SPECIFY:

- 120PGWP POLISHED FINISH
- 120PGWS BRUSHED FINISH
- 120PGWB BLACK FINISH

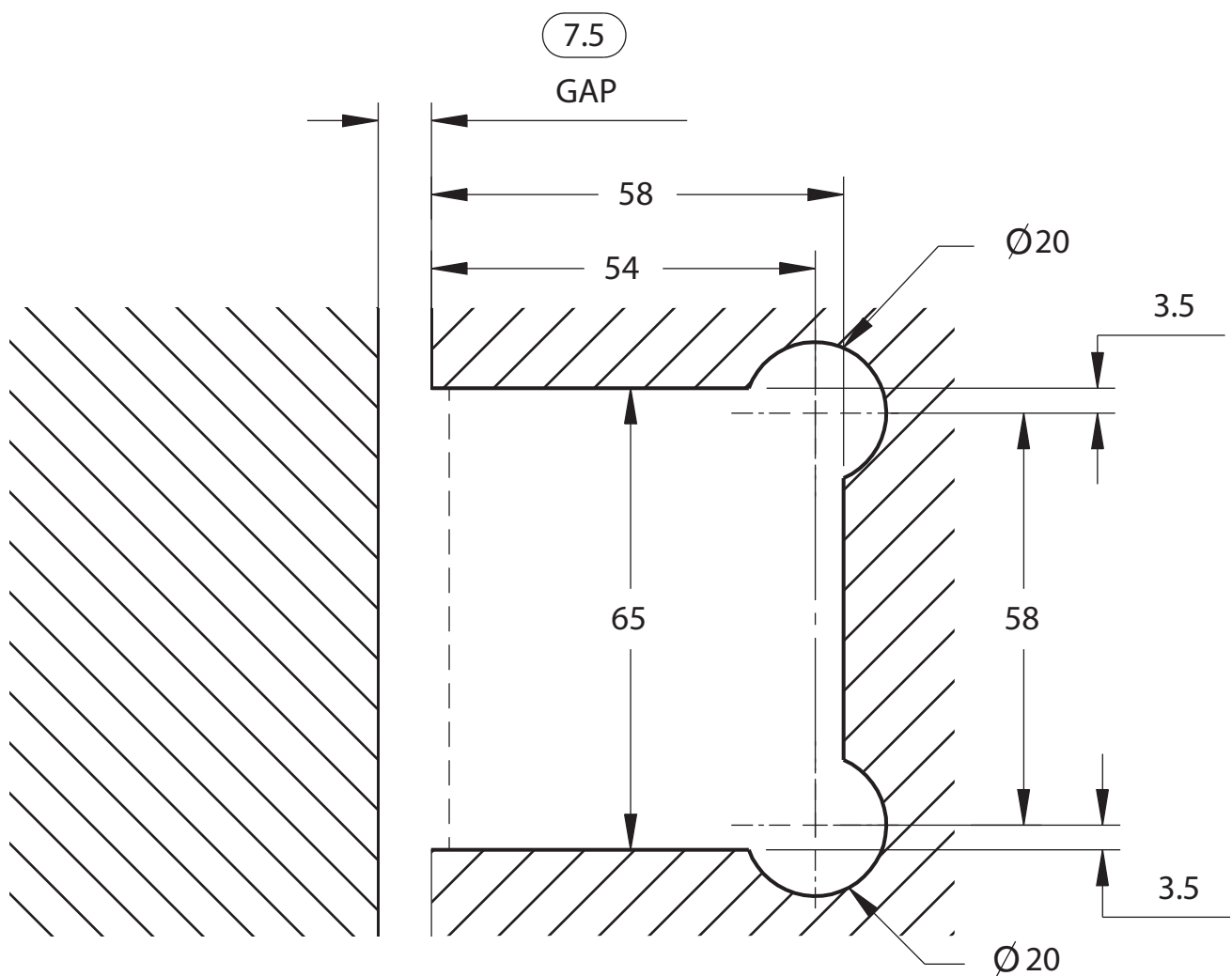


SIDE VIEW

GLASS PREPARATION

120, 220 & 320 SERIES HINGE

GLASS TO WALL/POST



GLASS CUT-OUT TOP AND BOTTOM
(ALL DIMENSIONS IN MILLIMETERS)